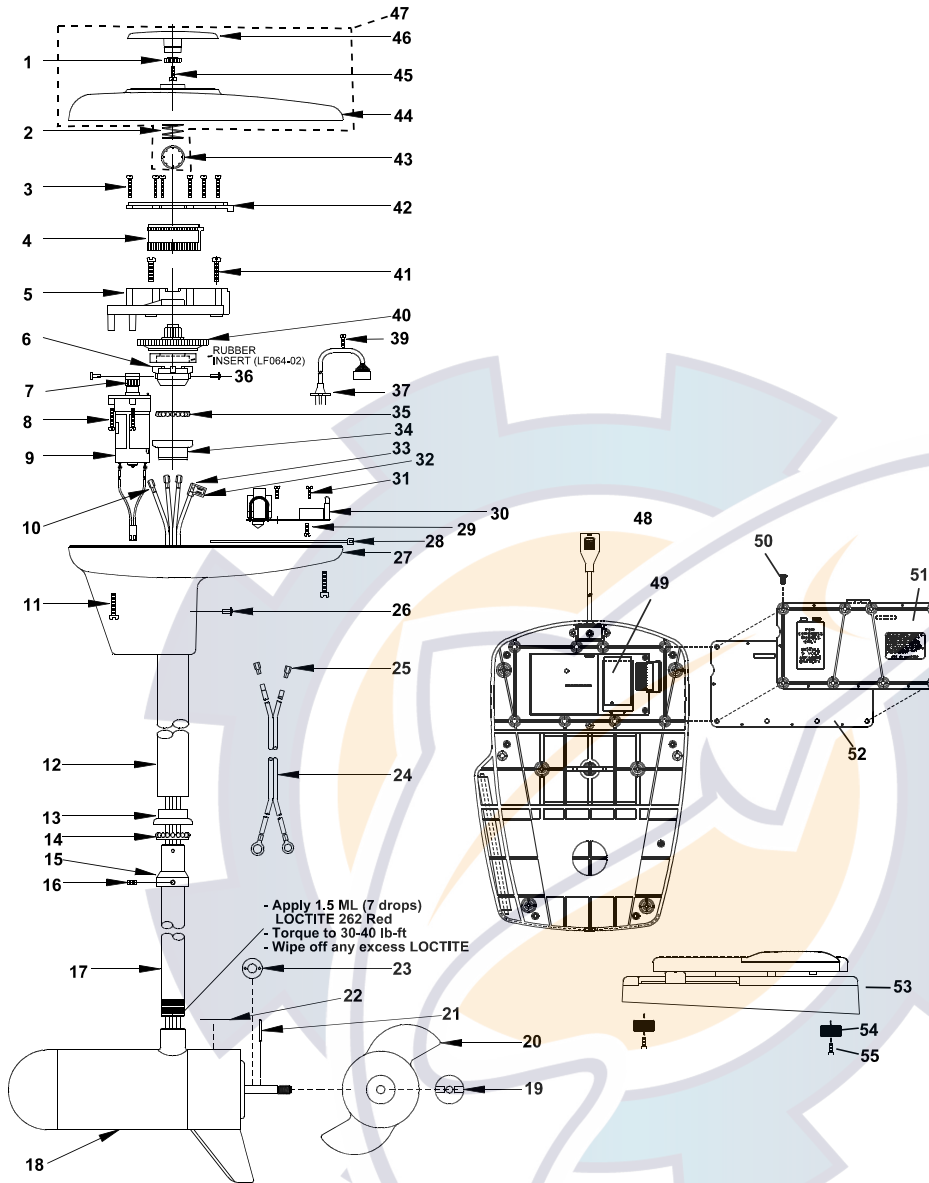


MotorGuide® REPAIR PARTS

Models:
L320ES



SPECIFICATIONS:

Year of Intro 1994
Thrust 37LBS
Volts 12VDC
Amp Draw 0 to 48 amps
Mount 01 Bow
Speeds Variable

QUICK REFERENCE PARTS GUIDE:

MOSFET JF096-08
Motor Seal Kit 6220

Note: Should the original pedal need service, upgrade pedal to Lazer II ES pedal with housing receptacle.

PARTS ORDERING & TECH ASSISTANCE

MotorGuide Consumer Relations
Phone 918-831-6989
Fax 800-982-8093

Send Returned Goods to:

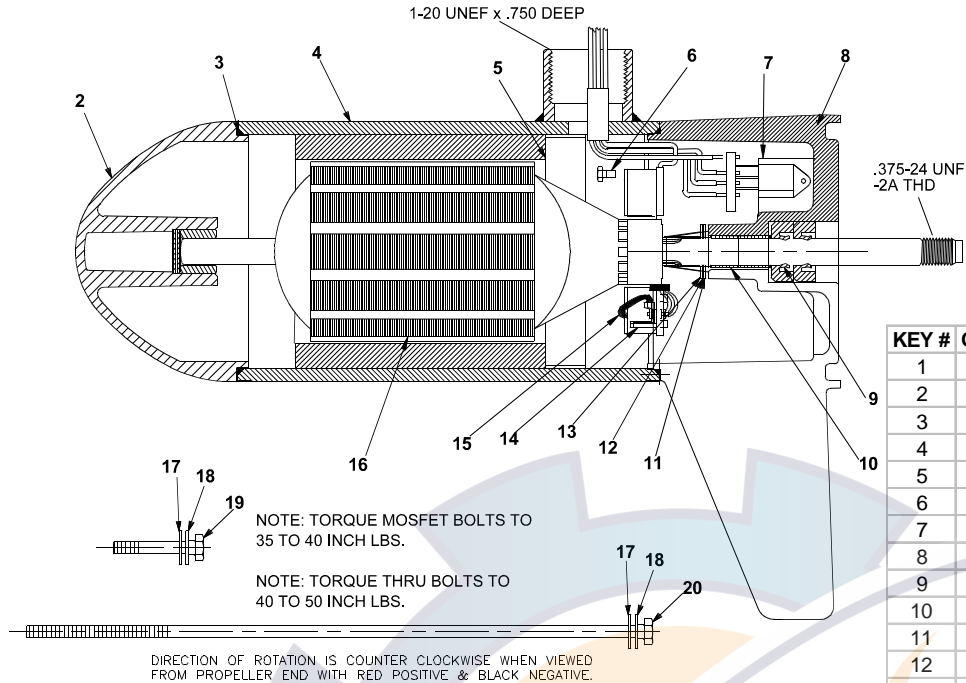
MotorGuide
605 Hwy 12 West
Starkville, MS 39760

Returned Goods must be accompanied with a Returned Goods Authorization. Contact MotorGuide Consumer Relations to obtain RGA.

KEY#	PART#	DESCRIPTION	KEY#	PART#	DESCRIPTION	KEY#	PART#	DESCRIPTION
1	LF069-04	LAZER GEAR/INDICATOR	22	LF060-04	LOWER UNIT DECAL LAZER	47	LF053-29	LAZER II GENERIC TH COVER
2	LF014-01	SPRING/INDICATOR	23	RK171-01	NYLON WASHER .125" THICK	48	NP327-03	CONTROL CABLE
3	LF141-02	SCREW #4 X 7/8	24	LF328-01	BATTERY CABLE ASY	49	NP157-04	LAZER II INTERFACE BD ES
4	LF125-01	RACK	25	PM160-01	TERMINAL	50	XF141-06	#6X32X7/16 SCREW
5	LF126-01	RACK GUIDE	26	LF111-02	POP RIVET .126-.187 D6	51	NP012-01	LAZER II BATTERY DOOR
6	LF064-01	COLUMN COUPLER	27	LF004-02	T/H BASE	52	NP079-02	LAZER II DOOR GASKET
7	LF068-03	PINION GEAR	28	AF030-01	CABLE TIE	53	NP300-10	LAZER II PEDAL ASY
8	LF141-02	SCREW #4 X 7/8	29	AF141-01	SCREW, SELF TAPPING	54	XP023-01	FOOT PEDAL PADS
9	LF3126-01	DRIVE MOTOR ASSY 12V	30	LF157-01	LAZER II 12V ES/RF BOARD	55	XF135-01	SCREW, PAD
10	PM160-01	TERMINAL	31	AF141-01	SELF TAPPING SCREW			
11	LF141-04	SCREW #8 X 1"	32	BR161-03	20-14 FLAG TERMI/STRIP G2			
12	AF165-06	(46") OUTER TUBE	33	AT080-01	INSULATING SLEEVE			
	AF165-07	(30") OUTER TUBE	34	FM007-01	BEARING CUP			
	AF165-08	(36") OUTER TUBE	35	FM005-01	BALL BEARING			
	AF165-01	(13") OUTER TUBE	36	LF111-01	POP RIVET .376-.500 D6			
13	FM007-01	RETAINER/ BEARING CUP	37	LF327-02	HOUSING CABLE			
14	FM005-01	BEARING	38					
15	AF006-01	RETAINER/BEARING	39	IR133-01	SELF TAPPING SCREW			
16	AF143-01	SET SCREW	40	LF69-08	LARGE PINION GEAR			
17	LF049-03	36" SS COLUMN	41	LF141-03	SCREW #8X3/4			
	LF049-04	42" SS COLUMN	42	LF127-01	RACK GUIDE COVER			
	LF049-05	50" SS COLUMN	43	LF098-01	TINNERMAN CLIP			
	LF049-08	54" SS COLUMN	44	LF053-29	LAZER II GENERIC TH COVER			
	LF049-09	60" SS COLUMN	45	LF141-06	SCREW #6X1/2 PLASTIC			
18	KF397-04	F/O MOTOR	46	LF078-09	LAZER INDICATOR			
19	AR099-01	PROP NUT						
20	AF124-10	3.5 NINJA 3 BLADE PROP						
21	BR102-01	PROP DRIVE PIN						

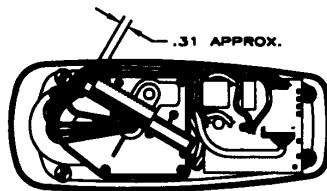
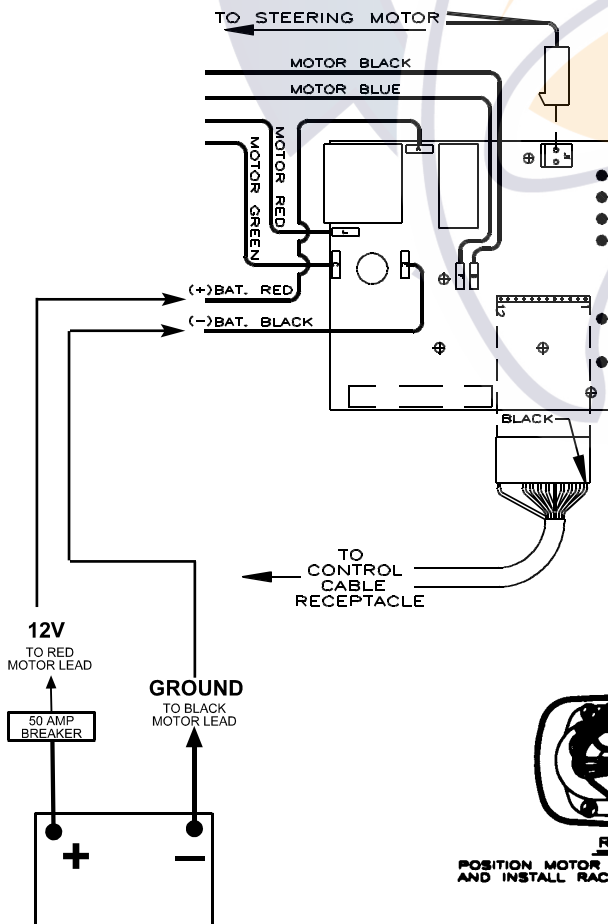
PARTS NOT ILLUSTRATED
LF056-04 TOP HOUSING DECAL

Models:
L320ES



KEY #	QTY	DESCRIPTION	PART NO.
1	X	MOTOR	KF397-04
2	1	NOSE CAP	JF3212-01
3	2	O RING SEAL	MR217-01
4	1	HOUSING ASSY	KF3210-01
5	1	RETAINER	JF233-01
6	2	BRUSH CARD SCREW	MR228-01
7	1	DURA AMP MODULE	JF096-08
8	1	COMM CAP	JF3205-04
9	2	SHAFT SEAL	MR223-01
10	1	BEARING	MR206-01
11	1	NYLATRON WASHER	MR226-01
12	1	WASHER	MR227-01
13	1	E RING	MR219-01
14	2	BRUSH SPRINGS	MR214-02
15	1	BRUSH ASSY LESS SPRING	JF3201-04
16	1	ARMATURE 3.5"	KF3207-01
17	4	STATIC SEAL	MR222-01
18	4	THRU BOLT WASHER	MR216-01
19	2	DURA AMP SCREW	MR229-01
20	2	THRU BOLT	MR218-01

WIRING



RACK INSTALLATION
POSITION MOTOR IN LINE WITH TOP HOUSING (SEE BELOW) AND INSTALL RACK APPROX. 5/16 FROM END OF TRAVEL

